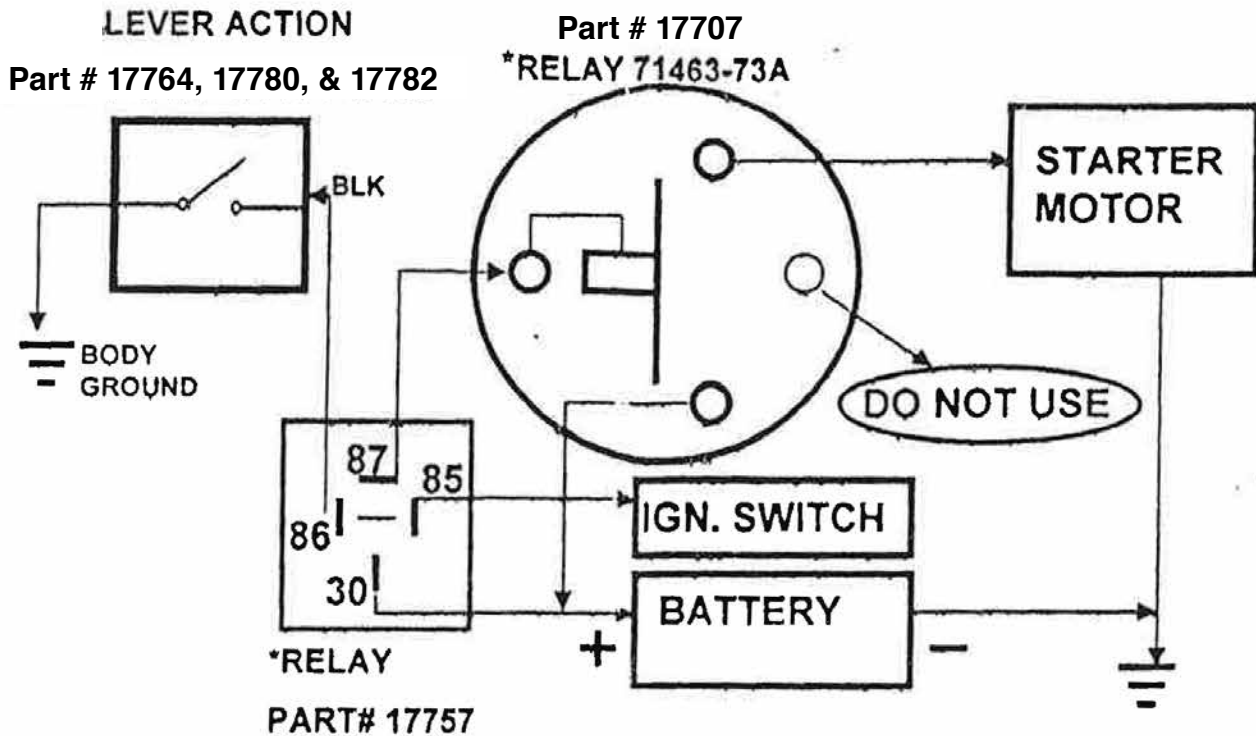




Installation Instructions

Part # 17764, 17780 & 17782

Lever Action Starter Solenoid



(Refer to HD service manual)

1. Disconnect the battery negative lead.
2. Remove primary chain cover.
3. Disconnect wires from the starter solenoid.
4. Depress the retainer cap and remove the pin and spring.
5. Remove the old solenoid.
6. Mount the Lever Action Solenoid using new gasket and two 1/4-20 x 1 hex head bolts.
7. Reinstall the spring, retainer cap and pin.
8. Make sure the starter drive gear is completely disengaged from the clutch ring gear when the handle is not actuated.
9. Check engagement by removing 4 socket head screws from cover.
10. Pull handle forward and check for starter gear engagement. Starter gear should contact 3/4" into the clutch ring gear before the handle makes electrical contact. Adjustment can be made by moving the contacts with the 2 attachment screws.
11. Reinstall the cover.
12. Wire according to diagram.